



www.limarc.org



Cover image by ChatGPT v1.1.0



Greetings!

I have mentioned our great appreciation from the membership and myself to those who support LIMARC and its activities because they believe that it is a good thing to do. LIMARC has demonstrated on many occasions that their support is well justified.

In being much more involved with learning members names due to the need to help out with mailings etc.; I am surprised at how many members I have not met. I have always prided myself in knowing so many members. That is in part because we have lost so many members in the years that I have been active in LIMARC, but it is also in part the lingering effect of the pandemic, the ability to work from home and not wanting to go out in the evening, as well as the general malaise towards meetings that so many other organizations are also feeling.

President's Message (cont.)

Many of the amateur radio clubs in our area and across the country (if not the world) have actually stopped functioning. Elderly membership and dwindling numbers left them no choice.

Does amateur radio have a future? Only if we can continue to explain why it is valuable and practice what we preach. It always comes down to us as individuals to want to keep it going and be a spokesman for it each and every day.

Be involved and stay involved.

73,

Richie, K2KNB

President



K2KNB at the LIMARC table in the club room at Ham Radio University (HRU) 2025.

LIMARC Board Meeting Minutes 2025-01-02

Officers present: President - Richie K2KNB, Secretary - Ken WB2KWC, Treasurer - Jerry WB2ZEX

Directors present: Harry KC2FYJ, Ken KD2GXL, Glenn WB2QDS, Peter KC2ZVT

Guests present: Gary W2MIT, George KD2FIU, Larry W2LAG, Sig KD2HHU

The meeting started at 7:30 pm with the Pledge of Allegiance.

Richie K2KNB said that the only change to the board for 2025 is Martin W1EMR replacing Steve WB2KDG as a director.

The board voted to accept the minutes of the December board meeting as published in the Log after they were corrected to indicate that Peter KC2ZVT was present at the meeting.

Upcoming events: HRU January 4, LIMARC Virtual Hamfest January 26th at 9:00 am (it is necessary to register on the LIMARC web site), indoor Hamfest on February 23rd. We applied to the Cradle of Aviation Museum for the May 20th Lindbergh memorial event & the July 20th. Apollo 11 moon landing anniversary.

Membership: We have 144 members registered for 2025 which is below what we had at this time in 2024. If you have paid your 2025 dues please check the LIMARC web site to make sure that your call is on the membership list.

To continue using the Levittown Library for our board meetings the application must be made by a Levittown School District resident. If you live in the Levittown School District please contact a member of the board.

The board discussed storage of our equipment. We currently have storage in 3 rented units in 1 location plus equipment stored in members' houses.

Fundraising: We need to be very aware of how much money is in our treasury; maintaining our repeater systems and other equipment costs a substantial amount of money. Some generous LIMARC members have made donations to LIMARC over and above their dues. We are a 501c(3) tax deductible organization. The board discussed fundraising projects such as selling name badges or a bulk buy of radios. Another possibility is selling raffles for a radio. K2KNB will send a grant application letter to Teachers Federal Credit Union requesting support for the use of our repeaters as an emergency communications system.

Field Day: Peter KC2ZVT told us that the next Field Day meeting will be at 7:00 pm on January 14th. The board discussed the location of our Field Day rigs, most of which are stored at members' houses. We have sold the beams and will be using wire antennas and verticals in 2025. This should make setup and teardown much easier and allow us to get rid of other equipment such as helmets. This will also save us money on the leasing of storage space.

LIMARC Board Meeting Minutes 2025-01-02 (cont.)

Secretary: Ken WB2KWC read a letter from the Cohen Children's Medical Center thanking us for the donation of toys collected at the December LIMARC Holiday Party. The Nassau University Medical Center has new management and was unable to accept our Toys for Tots donation so Richie N2WJL contacted the Cohen Children's Medical Center and they gladly accepted them. Ken said that he will be unable to take the minutes at the February meetings and someone will need to take the board and general membership meeting minutes and get them to George WB2IKT for publication in the Log.

LIMARC Anniversary: 2025 is LIMARC's 60th anniversary year. We are thinking of doing something special for our anniversary at the March Membership Appreciation meeting. We did not hand out awards at the holiday party in December so we will do that in March and also have a special meal possibly eggplant parmesan and spaghetti. As a special program we will invite past LIMARC presidents to join us.

The board discussed ways to increase awareness of LIMARC including emailing former members who have not paid dues since 2023 or emailing all of the hams in our target membership area telling them about LIMARC and inviting them to become members.

ARES: Ken KD2GXL told us that ARES has lots of new projects for 2025; their next meeting is on January 9th. One new event will be the Diabetes Association bike ride on May 31. The MS Walk will be on May 17th. The ARES web (<https://nassaucountyares.org/>) site has been overhauled. The membership of the Nassau County ARES groups.io group is being analyzed.

LIMARC web site: Larry W2LAG is doing a slow cleanup of the web site. He is analyzing our traffic using Google Analytics. Larry is also evaluating how we can integrate the web site with our social media efforts.

Technical: We were experiencing some glitches with Allstar; Steve WB2WAK was able to fix the problem by replacing hardware. We are working on failover between Internet and RF repeater site links. George WB2IKT is working on linking between the two Grumman sites.

Education: We are in need of members who can teach, even if it is only a small portion of the curriculum. We only held a few classes in 2024.

Good and Welfare: George WB2GTC has passed away. Steve WB2KDG is in the hospital with an infection. Jerry WB2ZEX hopes to come back to New York from Florida possibly as early as the end of February.

The meeting adjourned at 9:18 pm.

Votes/Actions: The board voted to accept the minutes of the December board meeting as published in the Log after they were corrected to indicate that Peter KC2ZVT was present at the meeting.

Respectfully submitted;

Ken Gunther WB2KWC

LIMARC Secretary

LIMARC General Meeting Minutes 2025-01-08

The meeting started at 7:30 pm with the Pledge of Allegiance followed by a minute of silence for LIMARC members that passed away in 2024.

Richie K2KNB commented that we have a good turnout tonight. The microphone was passed around for all to introduce themselves. Saturday's HRU event was a success but we would have liked to see more people there.

LIMARC Finances: Richie K2KNB commented that he was getting concerned about LIMARC finances. The major sources of income are membership dues and Hamfests. Many of our members are growing older and are qualifying for lower dues rates, moving out of the area or passing away. Also some of our vendors are getting older and would rather spend time in warm weather at events like Orlando Hamcation.

60th Anniversary: 2025 is our 60th anniversary year; we will have a celebration at the March meeting with food and awards. LIMARC past presidents will be invited and there will be an auction/raffle of a DR-500 radio, a hand held satellite antenna and a mini-nano from KJI.

Virtual Hamfest: There will be many accessories for sale at the January 26 Virtual Hamfest. Please register for the Virtual Hamfest on the LIMARC web site (<https://limarc.org/virtual-hamfest-january-26th/>)

Vice President: George WB2IKT thanked the family of Chet W2DPR for donating Chet's equipment to LIMARC after Chet became a silent key. George is looking for speakers for the February, April and May LIMARC meetings and would like to start a net for Hofstra students on the 146.745 repeater. George asked that members write an article for the Log. The article can be a rough draft and he can edit it for publication

Richie K2KNB thanked Larry W2LAG for updating the LIMARC web site. If you have paid your 2025 dues please check our web site to make sure that your call appears there (<https://limarc.org/our-members/>).

Treasurer: Jerry WB2ZEX reported that we have \$20,367.49 in the checking account, \$428.95 in PayPal, \$1,997.42 in the memorial funds and \$5,395.97 in the CD for a total of \$28,189.83.

ARES: Ken KD2GXL said the next meeting is January 9 at the Red Cross building. They will be going over the schedule of events. There will be training at the beginning of the year with most events taking place during the May to October time period. The next event is the MS Walk on April 5th. We are especially needed at this event because some of the walkers have MS.

The business portion of the meeting ended at 8:03 pm; followed by a program on SDR by Dustin KE2EFX.

Respectfully submitted;

Ken Gunther WB2KWC

LIMARC Secretary

Renew your LIMARC Membership

There are several easy ways to renew your membership. Please read the rest of this page for instructions. If your current member information has changed, to update it paste this link in your web browser:

<https://forms.gle/gAE2PYjzc8djt8b98>

Here's where you can send your Membership Dues:

Make your check or money order out to: "LIMARC, Inc.". Enter your callsign in the Memo field.

Then send it to this address: LIMARC Membership, P.O. Box 392, Levittown, NY 11756-0392.

If you have a PayPal account, please paste this link in your web browser:

<https://limarc.org/membership/#payhere>

As an alternative, you can use your PayPal account directly. LIMARC's PayPal email address is LIMARC@optonline.net. Enter your callsign in the Notes field.

There are no additional PayPal fees added when using this method, but please consider adding \$3 to cover our PayPal fees.

If you are using Zelle, LIMARC's Zelle email address is pvst@limarc.org and please add your callsign on the Memo line.

You DO NOT have to fill out an application again If you are renewing.

Dues

\$40 – Regular Member

\$30 – Senior Citizen (65 +)

\$15 each – Family Member

\$20 each – Student (Full-time)

\$20 – Associate Member *

* Associate membership is for people who live outside the repeater coverage area and use the club repeaters infrequently.

Your membership expired on December 31st if you have not yet paid your annual dues.

For more information, please paste this URL in your web browser:

www.limarc.org/membership/



Indoor Hamfest February 23, 2025

Levittown Hall, 201 Levittown Parkway, Hicksville, NY 11801

Doors Open @ 8:45 AM to Buyers

Vendors Set Up begins @ 7 AM

Amateur Radio Dealers & Equipment



VE Session @ 10 AM

Tune-Up Clinic (Get your rig checked!)

LCD Monitors, Computers, CB Equipment, ARRL Information

Long Island Mobile Amateur Radio Club Information

DXCC and WAS Card Checking

Ask about our upcoming Raffle Drawing to be held on March 12th. You do not have to be present.

Grand Prize: Yaesu FTM 500D Dual Band VHF and UHF Fusion C4FM Radio *donated by DX Engineering*

2nd Prize: Hand Held Satellite Antenna *donated by Arrow Antenna*

3rd Prize: TinySA *donated by KJI Electronics*

Raffle Tickets must be bought in person. Tickets are \$5.00 each, 5 for \$20.

12 Noon - NLI and Hudson Division Q & A in the small room. All welcome.

Ask Section Manager Jim Mezey, W2KFV, and Division Director Ed Wilson, N2XDD, your questions about what is happening at the ARRL.

For more information, contact our Hamfest Co-Chairs Richie K2KNB at 516-694-4937, or Tony NY2A, or email us at hamfest@limarc.org.

GENERAL ADMISSION is \$8.00

Oscillators: Clapp versus Colpitts

- John Dunn, WA2IBH

Edwin Henry Colpitts (January 19, 1872 – March 6, 1949)

James Kilton Clapp (December 03, 1897 – 1965)

The two persons above are the geniuses who gave us two classic oscillator circuits as shown in **Figure 1**.

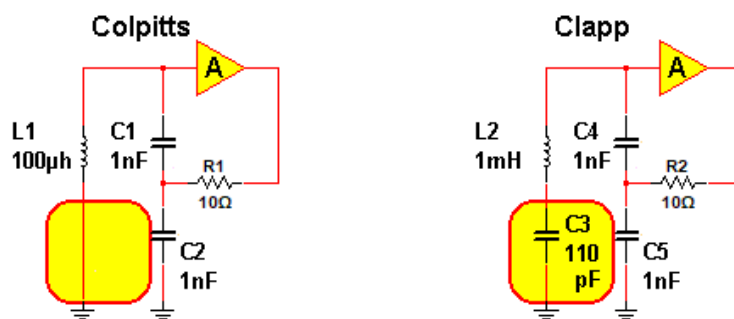


Figure 1 The two classic oscillators circuits: Colpitts (left) and Clapp (right).

The Clapp oscillator was devised as an improvement over the Colpitts oscillator by virtue of adding one capacitor, C3, in the above image.

The amplifier “A” is nominally at a gain value of unity, but as a matter of practicality, the gain value is slightly lower than that because the amplifier is really a “follower”. If made with a vacuum tube, then “A” is a cathode follower. If made with a bipolar transistor, then “A” is an emitter follower. If made with a field effect transistor, then “A” is a source follower. The concept itself remains the same.

Each oscillator works because the RLC network develops a voltage step-up at the frequency of oscillation. The “R” is not an incorporated component though. The “R” (R1 or R2) simply represents an output impedance of the follower. The 10 ohms that we see here is purely an arbitrary value guess on my part. The other components are also of arbitrary value choices, but they are convenient values for illustrating just how these little beasts work. (*next page*)

Reprinted with permission from EDN Magazine, Jan 9, 2025 **Living Analog Blog**

https://www.edn.com/clapp-versus-colpitts/?utm_source=newsletter&utm_campaign=link&utm_medium=EDNWeekly-20250109oly_enc_id=9430E9751001J0N

EDN

Ed note: John WA2IBH has many other interesting articles pertinent to amateur radio in this blog.

Oscillators: Clapp versus Colpitts (cont.)

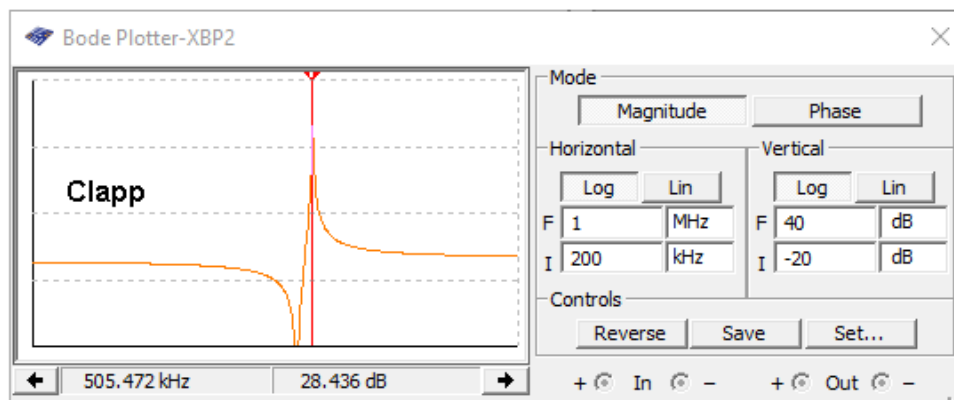
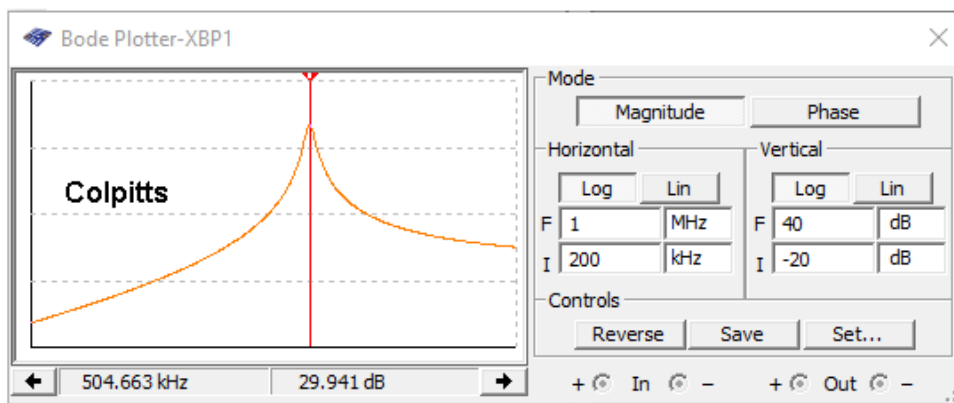
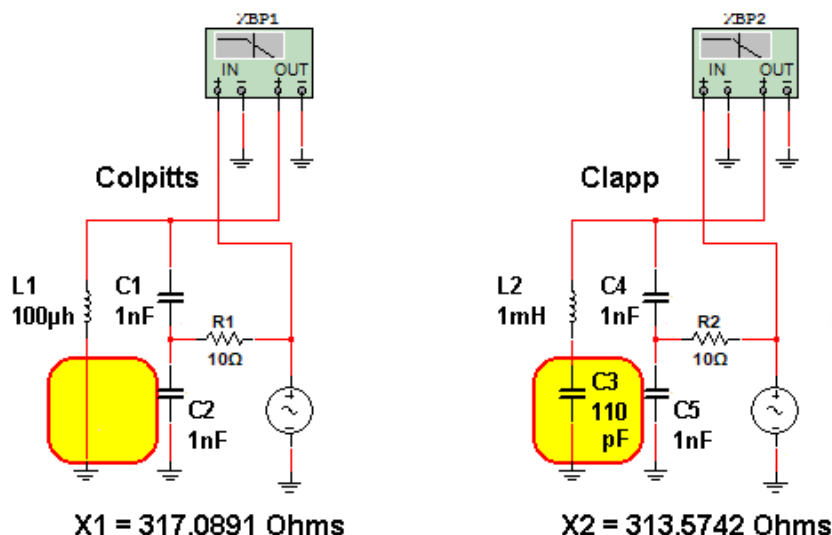


Figure 2 Colpitts versus Clapp spice simulations using the transfer functions of the two RLC networks.

Each RLC network has a peak in its frequency response which will result in oscillation at that peak frequency. However, the peak of the Clapp circuit is much sharper and narrower than that of the Colpitts circuit. This narrowing has the beneficial effect of suppressing spectral noise centered around the oscillation frequency.

(next page)

Note in the examples above that the oscillation peaks differ by 0.16% and that the reactance of the L1 inductor and the reactance of the L2 C3 pair differ by 1.12%. That’s just a matter of my having chosen some convenient numbers with the intent of having the two curves match in that regard at the same peak frequency. (I almost succeeded.)

The Clapp oscillator has several advantages over the Colpitts oscillator. The transfer function peak of the Clapp circuit is narrower than that of the Colpitts which tends to yield an oscillator output with less spurious off-frequency energy meaning a “cleaner” signal.

Another advantage of the Clapp circuit is that capacitors C4 and C5 can be made very large as the L2 C3 combination is made to look like a very small inductance value at the oscillation frequency. The larger C4 and C5 values mean that any variations of those capacitance values brought about by variations of the input capacitance of the “A” stage have a minimal effect on the oscillation frequency.

That’s because frequency control of the Clapp circuit is primarily set by the series resonance of the L2 C3 pair rather than the parallel resonance of L1 versus the C1 C2 pair in the Colpitts circuit. If the “A” input capacitance tends to vary for this reason or that, the Clapp circuit is far less prone to an unwanted frequency shift as shown in Figure 3.

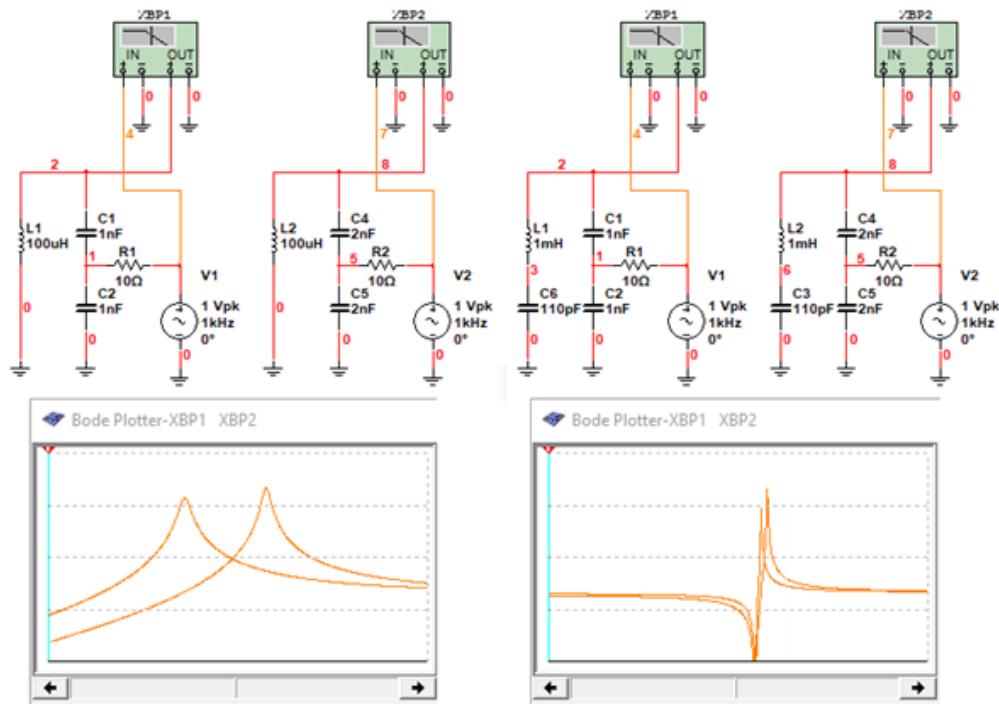


Figure 3 A Clapp versus Colpitts frequency shift comparison showing how the Clapp circuit (right) is far less prone to this unwanted shift in frequency.

- John Dunn WA2IBH is an electronics consultant, and a graduate of The Polytechnic Institute of Brooklyn (BSEE) and of New York University (MSEE).

Please Note: The link to the online Zoom Meetings no longer appears in the eLOG. This allows us to place a copy of the eLOG (with the officers and board member’s phone numbers removed to avoid spam) on the LIMARC webpage. The Zoom credentials information will be contained in the email notice you receive with the eLOG.

Reminder: LIMARC is a 501(c)(3) not-for-profit corporation. As such, all monetary donations are tax deductible, and equipment donations are deductible either to the amount that the club might sell the item for, or the fair market value. As we try to provide assistance to schools wishing to set up amateur radio programs, please consider us for your donations.

If You Hear Something, Tell Someone

Those of you who use the repeaters on a regular basis are all too aware of the fact that there are certain individuals who have nothing better to do with their time than to interfere with people on the repeater. An organized effort is underway to locate and identify these individuals. **YOU CAN HELP.** If you hear malicious interference on any of the LIMARC repeaters, please hit the reverse (HM/RV) button on your radio and see if you are able to hear them on the input. Do not acknowledge the interference on the air. Please email your findings to rfi@LIMARC.ORG. Indicate if you heard them on the input. Include date, time, the repeater, your location and type of antenna; include the heading if you have a beam.

Link to the ARRL NYC/LI Section Website

Here is where one can find recent happenings in the ARRL’s New York City and Long Island Section:

<http://nli.arrl.org/>

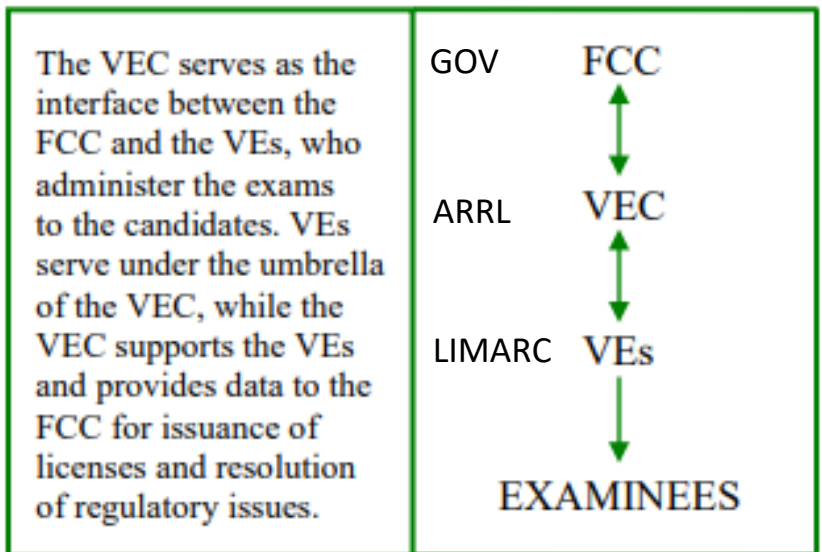


LIMARC Membership Update

Sig KB2HHU has taking over the position of membership chairman. He is working on converting the membership information to a database.

Follow these three steps to become an ARRL Volunteer Examiner:

1. Review the Volunteer Examiner Manual paying special attention to Chapter 2: Becoming a Volunteer Examiner. Read the information that extends and supports the published manual. <http://www.arrl.org/files/file/VEs/VE%20Manual%20Web%20Final%202022.pdf>
2. Complete and sign the Volunteer Application form and the open book review. (40 question review). <http://www.arrl.org/files/file/VEs/ARRL%20VEC%20VE%20pkg%202022%20interactive.pdf>
3. Please fax, mail or email forms (Adobe PDF file or scanned JPEG image showing your real signature) to this address:
ARRL VEC , 225 Main Street, Newington Ct. 06111



LIMARC History

-- compiled by George Sullivan, WB2IKT

50 Years Ago—From the February 1975 Log

LIMARC members participated in a Simulated Emergency Test (SET) conducted by Nassau County. The LIMARC roster was included in the log to save mailing costs. *(Ed note: the 1975 roster shows that your editor was a paid up LIMARC member back in the day).*

40 Years Ago—From the February 1985 Log

Club president K2LJH made a plea for volunteers to assist with Hamfest and other committees. Article about commercial broadcast pirate radio station included brief essays on how it was funded. LI Marathon looking for LIMARC volunteers. Graph showing solar activity getting lower thus making DX more difficult on the HF bands.

30 Years Ago—From the February 1995 Log

LIMARC Memorial Fund scholarship award announced for HS seniors or college freshmen who are LIMARC members or in the immediate family of a member. Applicants were to write a 500 word essay on how amateur radio serves the public good or amateur radio history.

20 Years Ago—From the February 2005 Log

Volunteers requested for the February Indoor Hamfest planned for Levittown Hall. Article by N2GA on theme of: "Ham Radio University was a big success". Contest for LIMARC 40th Anniversary announced with a "handsome certificate" as the award.

10 Years Ago—From the February 2015 Log

Presentations given by Bob W2OSR on Resonant Circuits and Hal K6DPZ on grid dip meters. President's message indicated jamming had become intolerable and LIMARC was coordinating responses with other clubs and the FCC. LIMARC had 286 paid-up members.

Attention New York City Members of LIMARC

New York City ARES (Amateur Radio Emergency Service) is looking for additional members who live/work in NYC. Unlike RACES, you do not have to reside in NYC to be a member, you can also be a member of Nassau ARES. Please contact Martin Grillo W1EMR, (NYC District Emergency Coordinator) at:

info@emrnyc.com

NYC ARES is broken up into 5 areas (one for each borough), currently only Brooklyn and Queens are active.

From Lou NY2H

LIMARC has a YouTube channel. In order to subscribe, you can follow the link, or use the QR code on the right.

<https://tinyurl.com/limarcYouTube>



Your article could have been published in the eLog, but you need to submit it. Original articles about most anything related to Ham Radio are welcomed. Contact George WB2IKT with your submission.

15th IEEE Integrated STEM Education Conference

Princeton University, NJ, USA

Saturday, March 15, 2025

ISEC 2025 Conference Website: <http://ewh.ieee.org/conf/stem>

Submissions to the **15th IEEE Integrated STEM Conference** (ISEC '25), to be held on Saturday March 15 2025 are open and accepted until **February 7, 2025** (extended from Jan 24, 2025). ISEC is known for featuring cutting-edge research and experiences with Integrated approaches to the study of science, math, and technology through experiences and activities based in engineering and other design disciplines. ISEC 2025 will be held at Princeton University and will be alternating between Princeton and Johns Hopkins University.

Topics for Papers towards STEM (Science, Technology, Engineering, Mathematics):

- Integration of Education and Interdisciplinary Education in STEM
- Development and Implementation of policies to support Integrated STEM
- Engineering Activities in STEM
- Pre-College Initiatives and Outreach Program
- Diversity and Inclusion in STEM/STEAM from P-12 to higher Education
- Fundamental and Applied Research in Integrated STEM



**15th IEEE Integrated
STEM
Education Conference**
Saturday, March 15, 2025
Princeton University
Princeton, NJ

The 15th IEEE Integrated STEM Education Conference (ISEC)

ISEC is known for featuring cutting-edge research and experiences with integrated approaches to the study of science, math, and technology through experiences and activities based in engineering and other design disciplines.



The Call for Papers is Open Now.

IEEE WF-PST seeks original, high-quality proposals describing the research and results that contribute to advancements in **Public Safety Technology applications:**

- AI/ML, Smart Algorithms, Digital Twins, and Intelligent Systems
- Communication and Networking
- Transportation Technologies for Public Safety
- Edge Computing, Cloud Computing, and IoT
- Blockchain and Forensics
- Security, Privacy, and Trust
- Health and Wellness of Public Safety Personnel
- Public Safety Technologies supporting Elderly and People with Disabilities
- Environmental Impacts with Public Safety Technologies



The 2025 WF-PST is positioned for public safety agencies, suppliers, practitioners, researchers, industry leaders, and first responders to discuss and exchange ideas on how emerging technologies can help improve public safety. Examples include how personnel can be more effective in their work, support sustained health and wellness, and learn how technology safeguards our communities.

2025 IEEE World Forum on Public Safety Technology
23 – 25 September, 2025
Hyatt Regency Grand Cypress Resort, Orlando, Florida, USA

For further information on this event paste the following URL into your web browser:

<https://ieee-wfpst.org>





ScheckLABS

Buy & Sell your HAM radio gear
&
much more!

**Proud to serve the Long Island
community with:**

- Ham radio equipment Buy & Sell.
- Electronics test and service equipment.
- Electronic kits.
- Electronics components.
- Custom crimped power & coax cables.
- Battery kits.
- Educational clinics.



Check out our website see what new items we've added to our catalog:

<https://schecklabs.com/>

Subscribe to our YouTube channel to get notified of showcased items we've added to our catalog:

<https://www.youtube.com/@schecklabs>

Follow us on INSTAGRAM:

**[https://instagram.com/schecklabs?
igshid=OGQ5ZDc2ODk2ZA==](https://instagram.com/schecklabs?igshid=OGQ5ZDc2ODk2ZA==)**

Email us at: RFQ2824@schecklabs.com

Phone: 631-343-5392

Please Note: John sells surplus LIMARC Equipment.

Contact: John, KD2HVS 631-343-5392

100 East Jefryn Blvd Deer Park NY

Your Name in Light - Personalized On Air lit sign at 26% off for LIMARC members only by **Light Signs Cave**

LIMARC members need to contact us at support@lightsignscave.com with their callsign. Once we've validated your membership, you'll receive a coupon code to use at checkout. Site/Store: <https://lightsignscave.com>

EXCLUSIVE OFFER TO LIMARC, 26% OFF
YOUR NAME IN LIGHT



DOOR PRIZE DONATORS

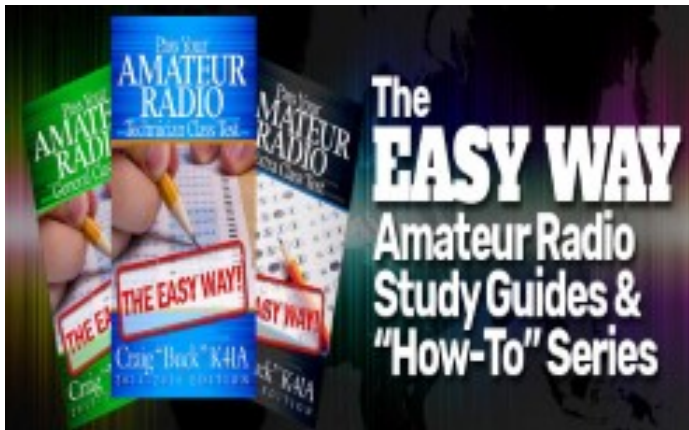
This is a list of individuals, organizations and companies that contributed to our virtual Ham-fests. Please consider making future purchases from them as a thank you for their generosity and loyalty to our club. Be sure to let them know that you saw their ad in the LIMARC LOG.

 DX ENGINEERING www.DXEngineering.com • 1-800-777-0703	 HAM RADIO DELUXE SOFTWARE The Radio Amateur's Best Asset	 Quicksilver Radio
 Tigertronics Signalink™ USB Integrated USB Sound Card	 N3FJP Amateur Radio Software.	 Hudson Valley Digital Network www.hvdn.org
 Breadboard Radio Ham Radio Kits That Are Easy To Build And Fun To Use QRPp Specialists	 DIAMOND ANTENNA	 PARADAN radio
 WEST MOUNTAIN RADIO	 rt SYSTEMS RADIO PROGRAMMING MADE EASY 800-921-4834 rtsystems.com <i>"All things work together for good for those who love the Lord"</i> -Romans 8:28	 KVI Electronics
 RFinder	 ARRL The national association for AMATEUR RADIO	 Arrow Antenna
 NUTS AND VOLTS	 C★MET	 DAIWA



720 Old Bethpage Road
 Old Bethpage, NY 11804
 516-217-1000

DISCOUNTS To LIMARC MEMBERS
 Show Your Membership Card



New Island Graphics

Tennis Racket Re-Stringing
Tee Shirts- Printed and Blanks
Team Uniforms and Supplies
Richie- K2KNB
516-694-4937
www.newislandgraphics.com

BATTERY TECH

(W & W)

For all your battery needs and drop in
 chargers,

Dave at Battery Tech

batterytech@juno.com or call

800 221-0732 or 800 442-4275



Dave Schneider

Parts, components, cables,
 connectors, adapters, etc.



Now offering the MSF Basic RiderCourse at
 Dowling College in Oakdale
 Motorcycle Training by Certified Instructors
 Get Your Motorcycle License Now!
 Group and One-on-One Lessons

516-639-9977

Online registration at www.bigapplemoto.com



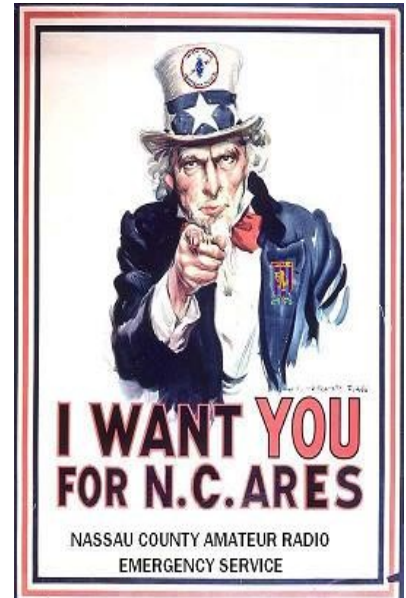
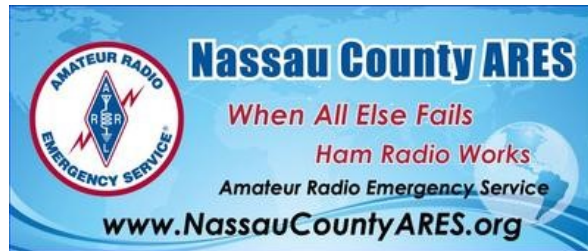
email: INFO@BigAppleMotorcycleSchool.com

Learn to ride with George N2GA, Diane, K2DO
 and the staff of the Big Apple Motorcycle School
 (including instructors David KA2YRY and Jerry WM2V)



All Nassau A.R.E.S. Members

Nassau County A.R.E.S. normally meets on the second and fourth Thursdays of the month. All are welcome to attend!



More info on the ARES General site: www.nassaucountyares.org

Meet at 19:30 hours on **02/13/2025** at 195 Willis Ave. Mineola, NY **Topic: Winlink Basics**



We Specialize in Catering For All Occasions !

Bellmore 2729 Merrick Road Bellmore, NY 11710 Tel: (516) 785-8986 Fax: (516) 785-8987	Massapequa 4917 Merrick Road Massapequa Park Tel: (516) 541-4341 Fax: (516) 541-4358	Plainview 1133 Old Country Road Plainview, NY 11803 Tel: (516) 931-7698 Fax: (516) 931-1569	Town Bagel Wantagh 1239 Wantagh Avenue Wantagh, NY 11793 Tel: (516) 221-2397 Fax: (516) 221-2497
--	---	--	---



Ham Radio and Scanner Radio Programming

Check our Website for Live Streaming Radio Feeds: Police, Fire, Amateur Radio, and 'Virtual' PCR-100 Receiver

Say you saw us in the "LIMARC Log"

(347) 829-SCAN

www.W2LIE.net



Testing Schedule for 2025



LIMARC VE Test Sessions are held on the second Saturday of every odd numbered month at Levittown Hall, 201 Levittown Parkway, Hicksville, NY. Please remember to bring **two** pieces of identification (one with a photo), your **original** ham license **and** a copy of it, any **original Certificates of Successful Completion of Examination (CSCE's)** and copies of them.

Also remember to bring the proper fee in check made out to ARRL VEC or exact change (NOTE: the 2024 exam fee remains at **\$15.00**). The LIMARC VE Team will supply the FCC Form 605. The F.C.C. **\$35 license fee** applies to all renewals, new applications, and vanity callsign requests, but not license upgrades.

Contact Al W2QZ at (516) 623-6449, or Jim W2KfV at (516) 315-8608 for information. VE Sessions will be held at Levittown Hall. All Saturday VE Sessions start at 8 AM.



NCVEC QUICK-FORM 605 APPLICATION AMATEUR OPERATOR/PRIMARY STATION LICENSE

SECTION 1 - TO BE COMPLETED BY APPLICANT				PLEASE PRINT LEGIBLY!
PRINT LAST NAME	SUFFIX (Jr., Sr.)	FIRST NAME	M.I.	AMATEUR RADIO CALL SIGN (IF LICENSED)
MAILING ADDRESS (Number and Street or P.O. Box)				FCC REGISTRATION NUMBER (FRN) (MANDATORY)
CITY	STATE CODE	ZIP CODE	DAYTIME TELEPHONE NUMBER (including Area Code)	
EMAIL ADDRESS (MANDATORY)				
Basic Qualification Question -- *Answer Required in Order to Process Your Application*				
Has the Applicant or any party to this application, or any party directly or indirectly controlling the Applicant, ever been convicted of a felony by any state or federal court? <input type="checkbox"/> YES <input type="checkbox"/> NO				
If "YES", see "FCC BASIC QUALIFICATION QUESTION INSTRUCTIONS AND PROCEDURES" on the back of this form.				

I HEREBY APPLY FOR [Make an X in the appropriate box(es)]:

<input type="checkbox"/> EXAMINATION for a new license grant	<input type="checkbox"/> CHANGE my mailing address to above address
<input type="checkbox"/> EXAMINATION for upgrade of my license class	<input type="checkbox"/> CHANGE my station call sign systematically
<input type="checkbox"/> CHANGE my name on my license to my new name	Applicant's Initials To Confirm _____
Former Name: _____ <small>(Last name) (Suffix) (First name) (MI)</small>	<input type="checkbox"/> RENEWAL of my license grant
	Exp. Date: _____

- I certify that:**
- I waive any claim to the use of any particular frequency regardless of prior use by license or otherwise;
 - All statements and attachments are true, complete, and correct to the best of my knowledge and belief and are made in good faith;
 - I am not a representative of a foreign government;
 - I am not subject to a denial of Federal benefits pursuant to Section 5301 of the Anti-Drug Abuse Act of 1988, 21 U.S.C. § 862;
 - The construction of my station will NOT be an action which is likely to have a significant environmental effect [See 47 CFR Sections 1.1301-1.1319 and Section 97.13(a)];
 - I have read and WILL COMPLY with Section 97.13(c) of the Commission's Rules regarding RADIO FREQUENCY (RF) RADIATION SAFETY and the amateur service section of OST/OET Bulletin Number 65.

Signature of Applicant:
X _____ Date Signed: _____

SECTION 2 - TO BE COMPLETED BY ALL ADMINISTERING VEs	
Applicant is qualified for operator license class:	DATE OF EXAMINATION SESSION
<input type="checkbox"/> NO NEW LICENSE OR UPGRADE WAS EARNED	EXAMINATION SESSION LOCATION
<input type="checkbox"/> TECHNICIAN Element 2	VEC ORGANIZATION
<input type="checkbox"/> GENERAL Elements 2 and 3	VEC RECEIPT DATE
<input type="checkbox"/> AMATEUR EXTRA Elements 2, 3, and 4	

I CERTIFY THAT I HAVE COMPLIED WITH THE ADMINISTERING VE REQUIREMENTS IN PART 97 OF THE COMMISSION'S RULES AND WITH THE INSTRUCTIONS PROVIDED BY THE COORDINATING VEC AND THE FCC.

1st VE's NAME (Print First, MI, Last, Suffix)	VE's STATION CALL SIGN	VE's SIGNATURE (Must match name)	DATE SIGNED
2nd VE's NAME (Print First, MI, Last, Suffix)	VE's STATION CALL SIGN	VE's SIGNATURE (Must match name)	DATE SIGNED
3rd VE's NAME (Print First, MI, Last, Suffix)	VE's STATION CALL SIGN	VE's SIGNATURE (Must match name)	DATE SIGNED

LIMARC 2025 Schedule of Events

Month	Bd.Mtg	Gen.Mtg	VE Exam	Hamfest	Other Events
Jan.		8	11	<i>virtual</i> 26	HRU 4
Feb.	5	12	23	23	SCR 10-14
March	5	12	8		
April	2	9			
May	7	14	10		Lindbergh 21
June	11	25			Field Day 28-29
July	2		12		Moon Ldg. 20
Aug.	6				
Sept.	3	10	13		
Oct.	1	8			VanMtrPky 10
					JOTA 18-19
Nov.	5	12	8	9	
Dec.	3	10			GARC anv 21

HRU—Ham Radio University

SCR—School Club Roundup

Lindbergh—Anniversary of 1st non-stop transatlantic flight

Moon Ldg—Anniversary of Apollo 11 1st Lunar Landing

VanMtrPky—Anniversary of Opening of Vanderbilt Motor Parkway

JOTA—Jamboree on the Air for Scouting America

GARC— Grumman Amateur Radio Club (callsign: WA2LQO)

Dates subject to change without notice. LIMARC may revise them as required.

LIMARC Repeaters Analog PL tone is 136.5

Location	Output Frequency	Shift	Callsign	Mode	Echo Link	IRLP	AllStar	System Fusion
Glen Oaks	146.85	- 600kHz	W2VL	Analog	W2VL-R, Node 487981		Node 576290	
Glen Oaks	224.82	-1.6MHz	W2KPQ	Analog				
Glen Oaks	1288	-12MHz	W2VL	Analog				
Hempstead Hofstra U. GARC	146.745	-600kHz	WA2LQO	Analog /Digital				WIRES-X Node:98304 Room:08304
Plainview	449.125	-5MHz	W2KPQ		W2KPQ-L Node 500940	Node 4969	Node 576291	
Plainview	449.375	-5MHz	W2KPQ	DMR CC1				
Selden	147.375	+600kHz	W2KPQ	Analog	W2KPQ-R Node 503075	Reflector Node 9126		
Selden	449.3625	-5MHz	W2KPQ	DMR CC1				
Middle Island	449.075	-5MHz	NY2H	Analog				
East Meadow	145.070		W2KPQ	Packet Digipeater				

LIMARC Nets

Net	Day	Time	Frequency	Net Control
TechNet	Sunday	8PM	146.85	AC2GS
Infonet	Monday	8:30PM	146.85	Rotating Schedule
Swap&Shop	Monday	Follows Infonet	146.85	KD2FIU
ARRL NewsLine	Monday	Follows Swap&Shop	146.85	(audio feed)
Computer Net	3rd & 4th Wednesday	8:30PM	146.85	WB2KWC
Nostalgia Net	5th Wednesday	8:30PM	146.85	K2KNB
220 Net	Fridays	8:30 PM	224.82	K2TGW
1288 Net	Fridays	9:00 PM	1288 MHz	KC2BZB

Week Rotation	Net Control
1	N2RQ
2	K2KNB
3	K2KNB
4	KC2FYJ
5	KC2ZVT

GARC Repeater

145.33 WA2LQO

136.5 PL FM Analog

Hauppauge

<u>LIMARC Officers 2025</u>			<u>Directors 2025</u>	
President	Richie Cetron	K2KNB	Al Bender	W2QZ
Vice-President	George Sullivan	WB2IKT	Peter Genova	KC2ZVT
Secretary	Ken Gunther	WB2KWC	Martin Grillo	W1EMR
Treasurer	Jerry Abrams	WB2ZEX	Harry Gross	KC2FYJ
			Glenn Kearney	WB2QDS
			Ken Kobetitsch	KD2GXL

Email for officers and Board members can be addressed to their: call sign@limarc.org.
 In addition, all can be reached at LIMARC@LIMARC.org



Opinions expressed by contributors do not necessarily reflect the policies of The Long Island Mobile Amateur Radio Club, Inc., its Officers, Directors or Committee Chairpersons. Byline authors grant express permission to LIMARC to print articles in this or any issue of The LOG. Byline authors also grant express permission for the use and/or reprinting of these articles, in part or in full, in other publications with credit to the original author and to The LIMARC LOG. All material is copyright © 2025. Do not copy or reproduce any of this material without the written permission of LIMARC.

George Sullivan, Editor of The LOG,	WB2IKT@LIMARC.org
LIMARC PO Box 392 Levittown, New York 11756-0392	Published Monthly

From The Editor

As usual, please send items for entry into the LOG to WB2IKT@LIMARC.org. I will be glad to accommodate appropriate requests. If you miss a deadline (the deadline is the 15th of the month) I would be glad to place your item in the LOG next month, space permitting. Thanks, and 73, George WB2IKT - Editor, The LOG